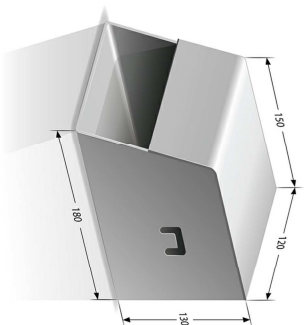
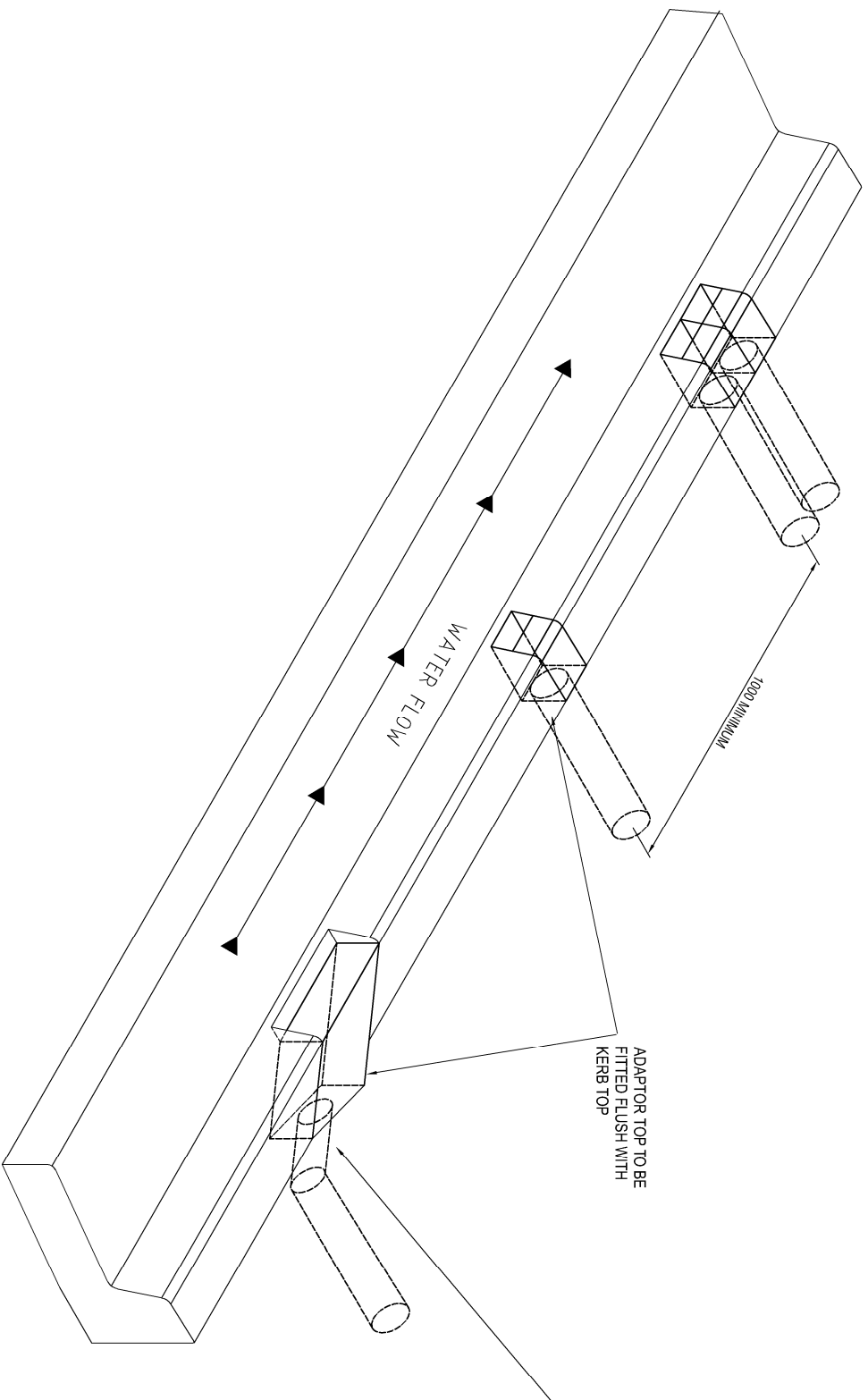
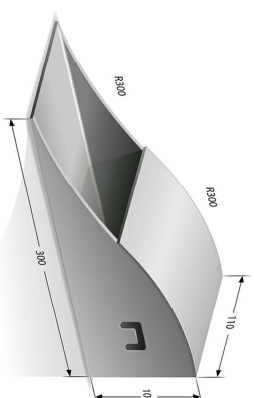
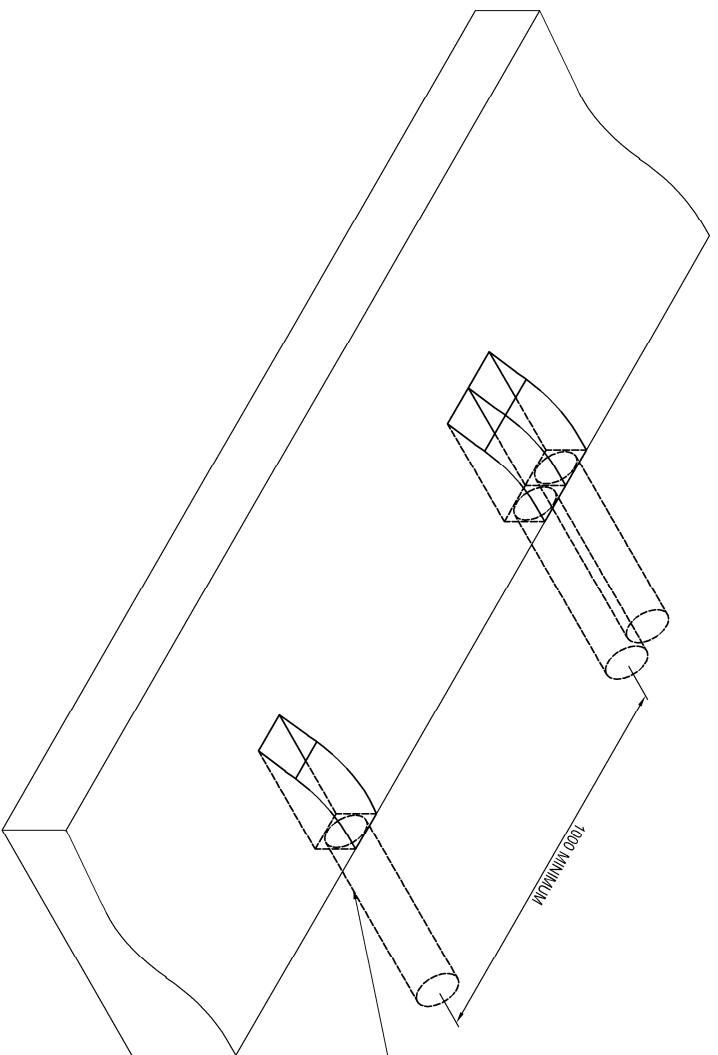


**SA - KERB & GUTTER**



**RT - ROLL TOP KERB & GUTTER**



**NOTES**

1. For flows in excess of 20 litres/second prefabricated RHS is to be installed at an angle of 45° to kerb and gutter. Angle to match direction of flow in kerb.
2. The opening in the kerb is to be neatly sawn square to the face of the kerb.
3. The choice of kerb adaptor is to be appropriate to the form of the kerb in use.
4. Use only approved heavy galvanised kerb adaptors. A number of proprietary adaptors are available for all common kerb sections. Non-standard adaptors will not be approved.
5. Install adaptors to the manufacturer's specifications.
6. Install the top of the adaptor's flush with the top of the kerb.
7. Adaptors fitted into newly laid kerb (wet concrete) are to have side tabs bent out square to provide a bond between the concrete & the adaptor.
8. Sawn kerbs are to have the adaptor fixed in place with a suitable polyurethane sealant/adhesive (SIKAFLEX-11FC or similar).
9. Surfaces to be sealed & glued need not be primed, provided that they are clean, sound, free of oil & grease, and dry of all traces of moisture.
10. Pairs of adaptors are also to have the metal-to-metal faces fixed together with polyurethane sealant/adhesive.
11. Maximum flow permitted from each kerb outlet is 20 L/s (AR1 5 yr event) @ 15 m spacings.
12. Where more than a pair of roofwater outlets are required, additional outlets may also be paired, but in any case are to be placed at least 1000 apart.
13. PVC pipe installed through a concrete kerb as a stormwater outlet shall not be approved.
14. No stormwater outlets are to be placed in vehicle layback crossings, kerb ramps or wings.
15. Minimum cover over PVC roofwater pipes crossing foot traffic area is to be 100.
16. Where cover over roofwater pipes is less than 100, PVC sewer pipe, class SH, shall be used.
17. If necessary, kerb adaptors fitted into existing kerb or broken kerb, etc, may be fixed in place with 3:1 sand/cement mortar.
18. All dimensions in millimetres unless otherwise noted otherwise.

Rev.	Date	Description	Drawn	Auth.	Rev.	Date	Description	Drawn	Auth.	AdaptCAD File	SD0112 Kerb Stormwater Outlet A.dwg	MIDCAST council	Drawn	CG	Checked	GC 06/2020	Approved on Behalf of Midcast Council	Pen Details	STANDARD DRAWING	STANDARD KERB STORMWATER OUTLET	NON-FLEXIBLE KERB ADAPTORS	Sheet No.	01	Revision	A
A	30/06/2020	Issued for construction	CG	RH																		No. of Sheets	01	Standard Dwg No.	SD0112