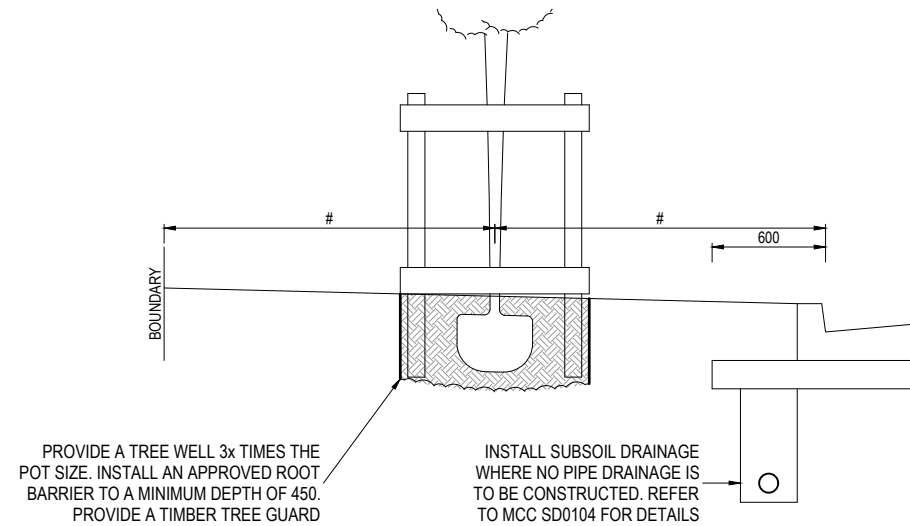
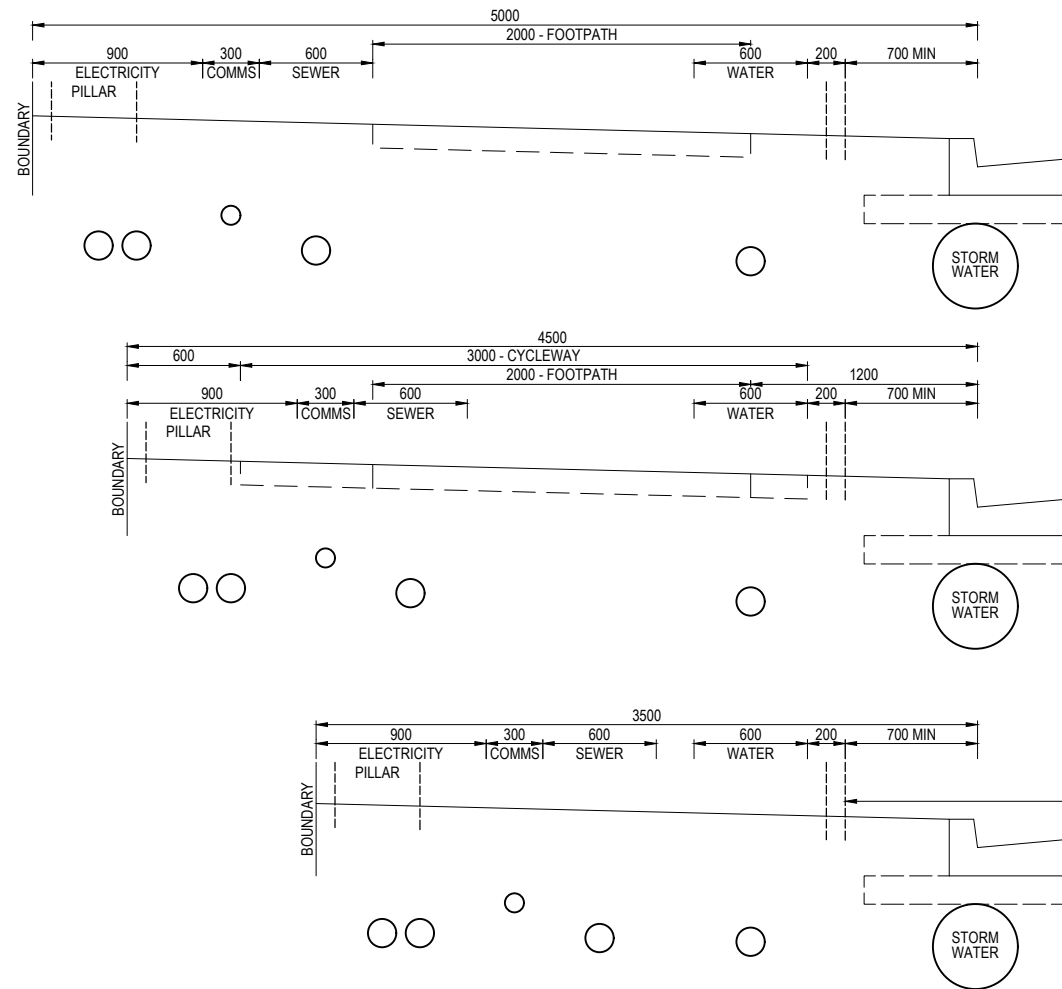


100mm at A3 Or 200mm at A1 Size



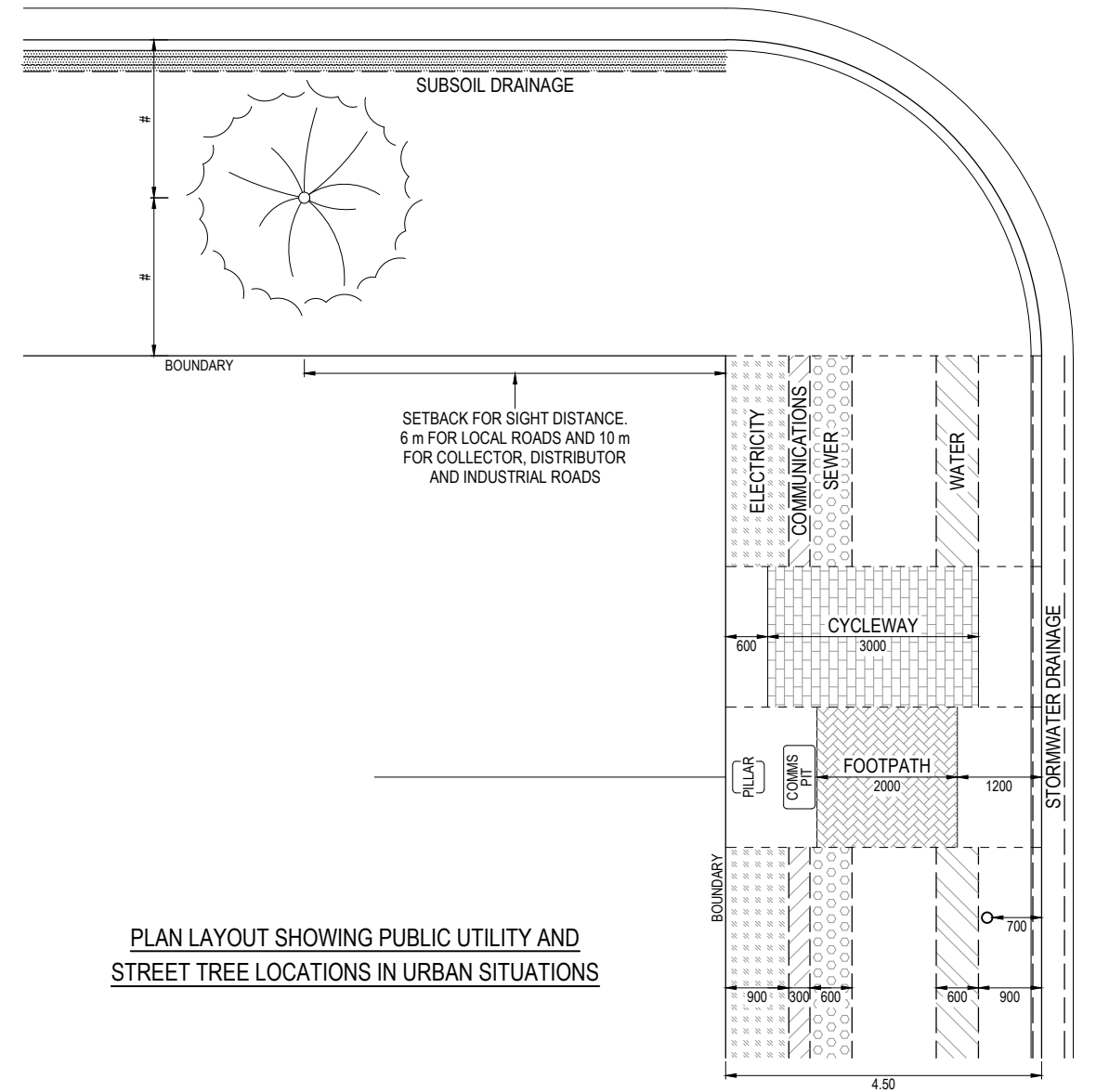
TYPICAL SECTIONS - FOOTWAY WIDTHS SHOWING PUBLIC UTILITY AND STREET TREE LOCATIONS IN URBAN SITUATIONS

NOTES - GENERAL

1. Footpaths / cycleways shall not be constructed until all public utilities have completed their installations
2. Generally, footpaths and cycleways are to be laid on the opposite side of the road to public utilities
3. Subsoil drainage shall be laid behind all kerbs where no pipe drainage is to be constructed. This includes in both cut and fill situations. Refer to MCC SD0104 for details
4. Refer to MCC SD0113 or MCC AUS-SPEC 0041 M5 Table 1 for typical urban road cross sections
5. All dimensions are millimetres unless notated otherwise

NOTES - PUBLIC UTILITIES

1. Public utilities are to be laid in the footway area to accommodate construction of driveways into adjoining properties
2. Public utility services shall be installed to the specifications of the relevant authority. For sewer, stormwater and water pipes, refer to MCC SD0108
3. Electricity and communication conduits may be laid in the same trench provided they are within their respective allocations and meet separation requirements as specified by the relevant authorities
4. For public utility access pits and boxes located within or on the edge of concrete footpaths, cycleways or driveways, refer to MCC SD0103 for treatment details
5. Frangible street light pole shall be a minimum 700 from face of kerb to the roadside face of the pole. Preferably, street lighting will be located on the opposite footway to that nominated for footpath / cycleway construction



PLAN LAYOUT SHOWING PUBLIC UTILITY AND STREET TREE LOCATIONS IN URBAN SITUATIONS

NOTES - STREET TREES

1. Street trees shall be placed a minimum of 6 m away from all intersecting street boundaries, kerb ramps and constructed driveways
2. Trees may be placed closer to driveways subject to providing adequate site distance in accordance with Figures 3.2 and 3.3 of AS 2890.1 and the approval of the MCC Tree Management Officer
3. Street trees selected shall be in accordance with Council's Street planting guide
4. Street tree locations are required to be clear of stormwater pipes and other service trenches
5. Provide a minimum 450 deep approved root barrier around the planting well
6. Planting well to be 3x times the size of the pot
7. Install a timber tree guard around each tree

Rev.	Date	Description	Drawn	Auth.	Rev.	Date	Description	Drawn	Auth.
B	10/2/2022	Sheet 2 'Rural-residential and Rural Locations' added	AJC	GC					
A	30/06/2020	Issued for construction	AJC	RH					

AutoCAD File:
SD0111 Footpath Allocation
B.dwg

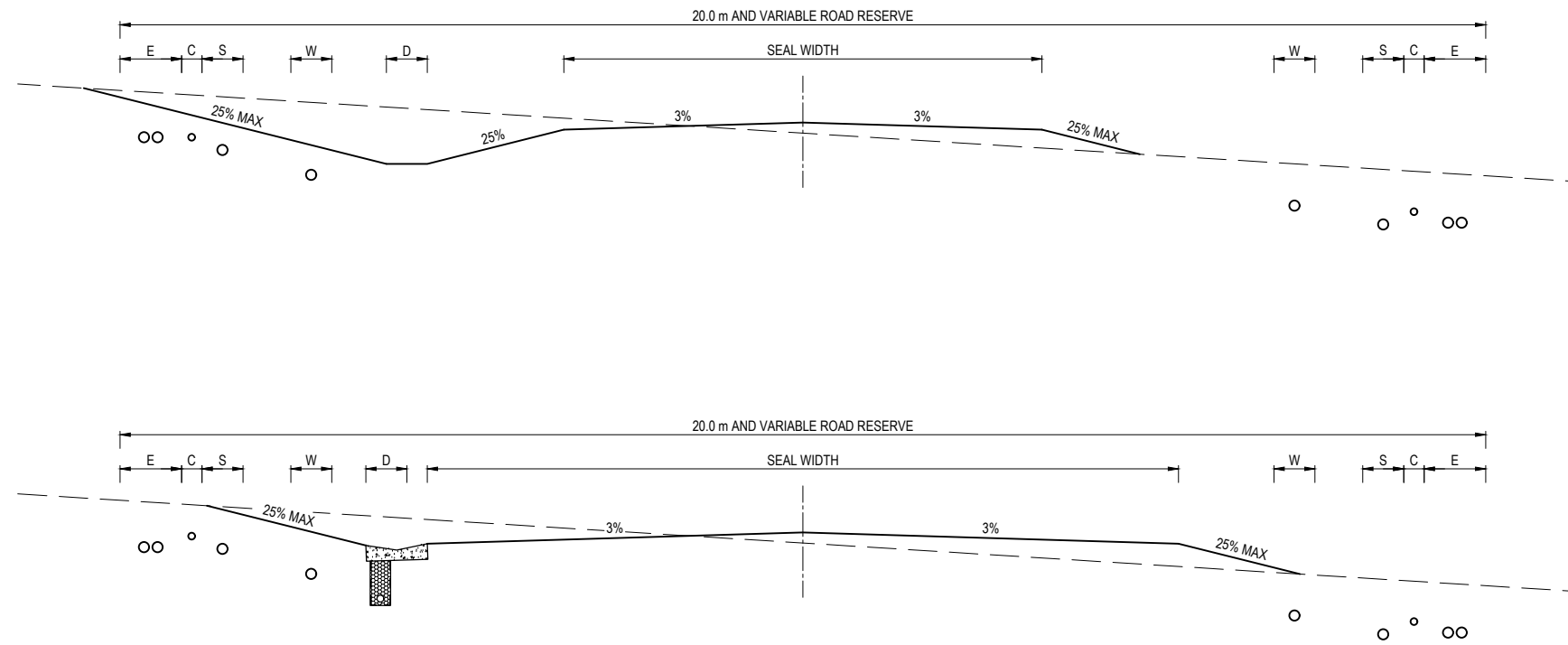


Drawn
AJC
Checked
G Calvin 06/2020

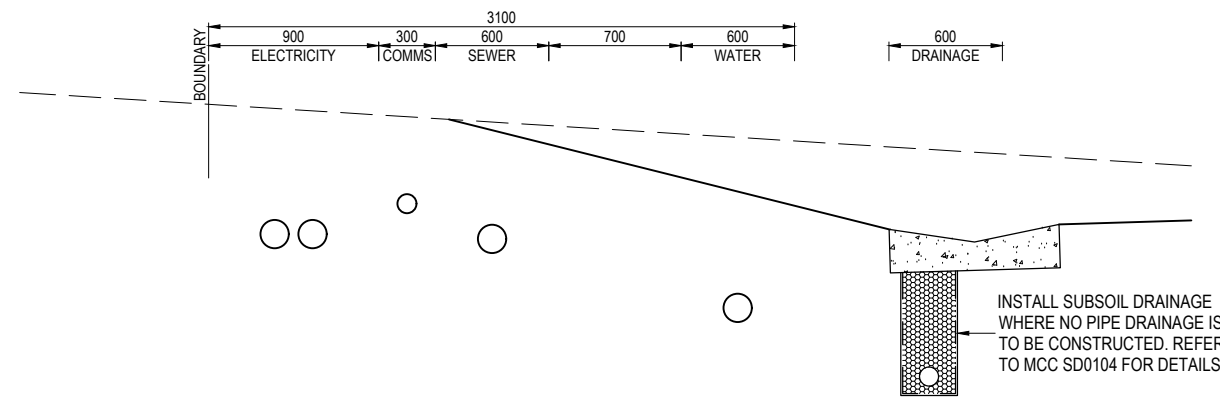
Approved on Behalf of Midcoast Council

Plan Details
STANDARD DRAWING
STANDARD URBAN FOOTWAY WIDTHS, PUBLIC UTILITIES AND STREET TREE LOCATIONS

Sheet No.	Revision
01	B
02	SD0111



TYPICAL SECTIONS - SHOWING PUBLIC UTILITY LOCATIONS IN RURAL-RESIDENTIAL AND RURAL SITUATIONS (NTS)



TYPICAL SECTION - SHOWING PUBLIC UTILITY LOCATIONS WITHIN THE VERGE (NTS)

NOTES - GENERAL

1. Subsoil drainage shall be laid behind all kerbs where no pipe drainage is to be constructed. This includes in both cut and fill situations. Refer to MCC SD0104 for details
2. Refer to MCC SD0113 or MCC AUS-SPEC 0041 M5 Table 2 for standard seal widths
3. E = Electricity; C = Communications; S = Sewer; W = Water; D = Drainage
4. All dimensions are millimetres unless notated otherwise

NOTES - PUBLIC UTILITIES

1. Public utilities are to be laid in the verge area to accommodate construction of driveways into adjoining properties and also table drains adjacent to road shoulders
2. Public utility services shall be installed to the specifications of the relevant authority. For sewer, stormwater and water pipes, refer to MCC SD0108. In the absence of any clear information regarding depth of services crossing the road, obvert of service shall be a minimum of 700 below the invert of the table drain
3. Electricity and communication conduits may be laid in the same trench provided they are within their respective allocations and meet separation requirements as specified by the relevant authorities
4. Frangible street light pole shall be a minimum 700 from face of kerb or edge of seal to the roadside face of the pole

100mm at A3 Or 200mm at A1 Size

Rev.	Date	Description	Drawn	Auth.	Rev.	Date	Description	Drawn	Auth.	AutoCAD File: SD0111 Footpath Allocation B.dwg		Drawn AJC Checked G Calvin 06/2020	Approved on Behalf of Midcoast Council 	Plan Details STANDARD DRAWING STANDARD RURAL-RESIDENTIAL AND RURAL PUBLIC UTILITIES LOCATIONS	Sheet No. 02 No. of Sheets 02	Revision B Standard Dwg No. SD0111
------	------	-------------	-------	-------	------	------	-------------	-------	-------	--	--	---	--	---	--	---