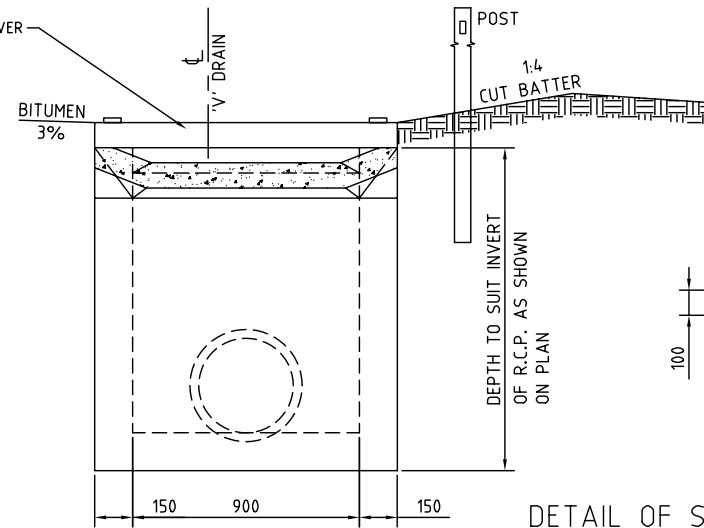
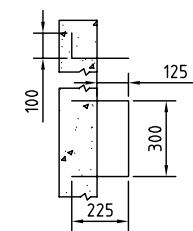


SECTION A-A



SECTION B-B



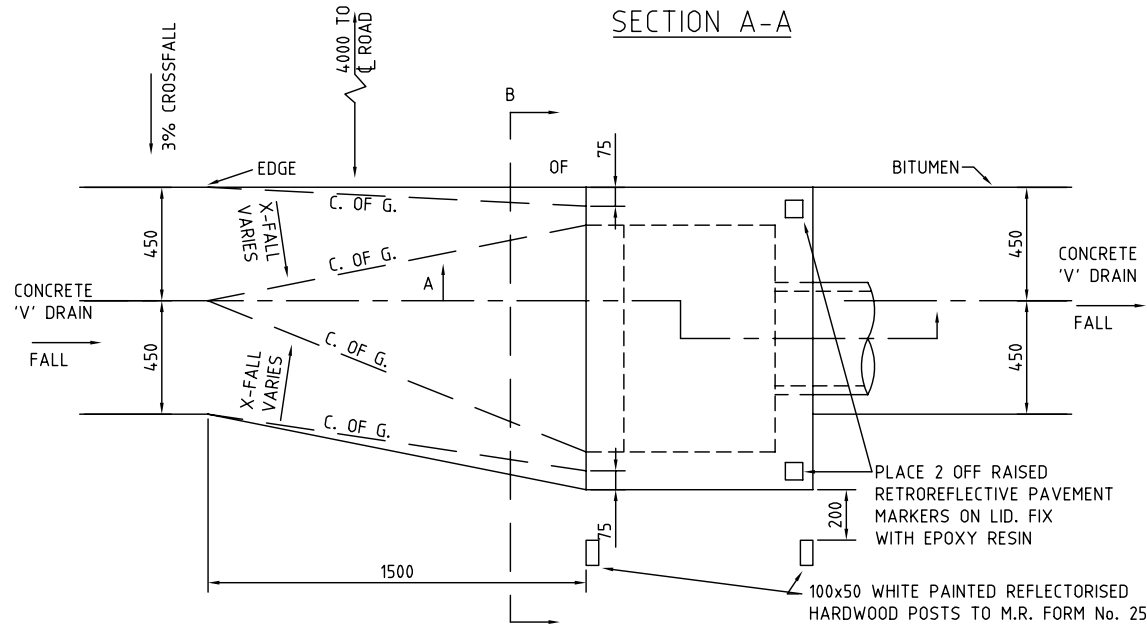
DETAIL OF STEP IRON

STEP IRON OF 20 GALVANISED STEEL MADE TO ABOVE SHAPE AND DIMENSIONS SHALL BE PROVIDED 450 CENTERS UNDER GRATE WHERE PIT IS DEEPER THAN 1200

CAPACITY OF INLET SLOT
(900x200)
-ON GRADE: 148 l/s
-AT SAG : 268 l/s

NOTES:

1. C. OF G. DENOTES CHANGE OF GRADE OF CONCRETE.
2. USE 32MPa CONCRETE.
3. WHEN LOCATED IN A SAG, PIT TO HAVE AN ENTRY SLOT EACH SIDE.
4. PRECAST CONCRETE COVERS TO BE REINFORCED WITH FABRIC No. RL1218.
5. FOR PITS DEEPER THAN 1500, ALL SIDE WALLS AND BASE TO BE REINFORCED WITH ONE LAYER OF FABRIC SL82 IN WALLS RETURNED 300 INTO BASE.



ISSUE	DATE	AMENDMENTS	BY
B	30-8-05	Update for Auspec	BBS
A	16-6-05	Redrawn Using CAD	PJW
-		ORIGINAL ISSUE	DBM

ALL DIMENSIONS ARE IN MILLIMETRES.
DO NOT SCALE.

APPROVED: *[Signature]* 1/11/05
O.FARUQI, C.P. Eng DATE
Manager of Investigation & Design



STANDARD DRAWING TITLE
**Letter Box Opening Pit
For Dish Drains**

SCALE/S: DWG PRACTICE AS1100 SHEET SIZE A4

SHEET No 1B
No OF SHEETS 1
STANDARD DWG. No SD71