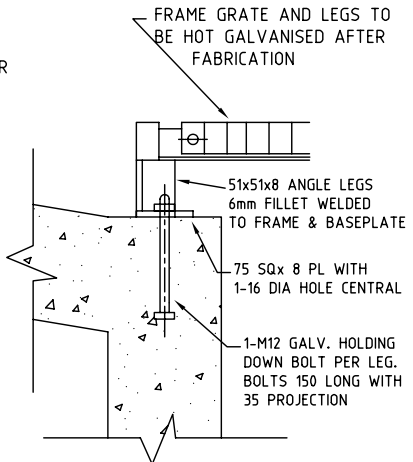
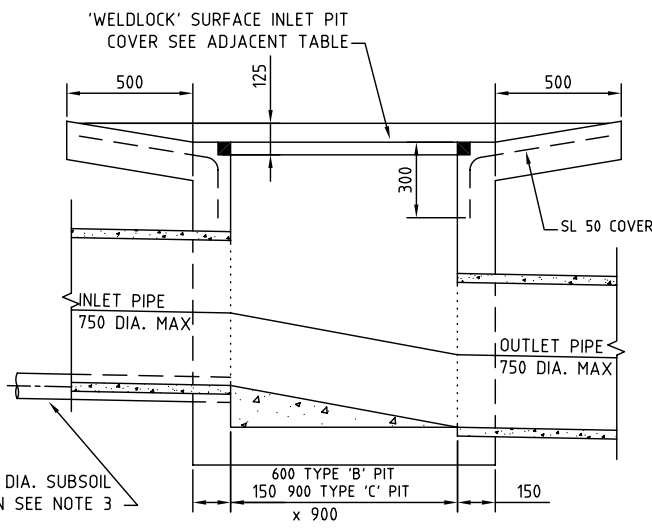


SECTION A-A  
SURCHARGE PIT TYPE A



DETAIL 'X'



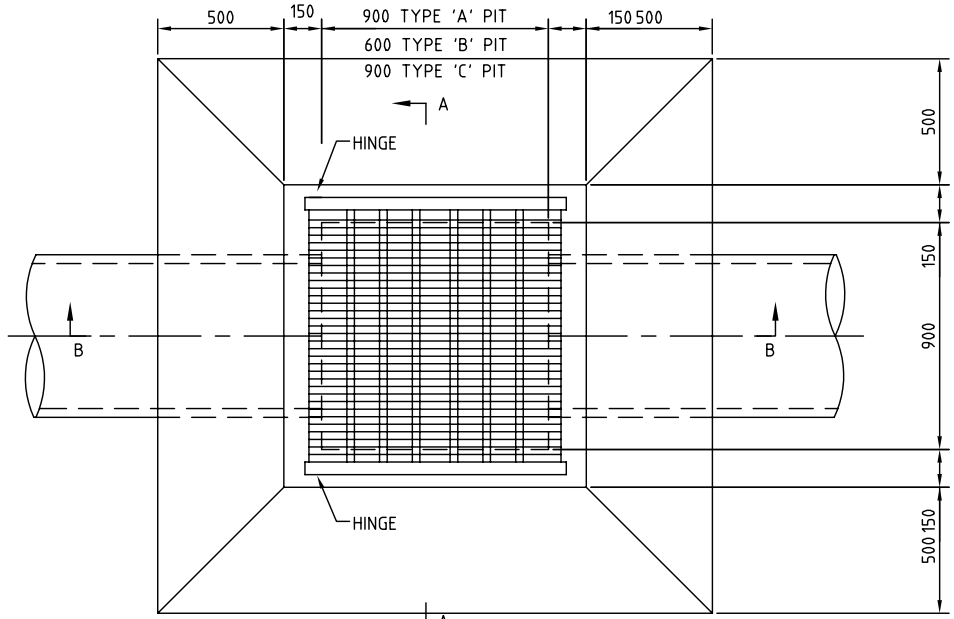
SECTION B-B  
SURCHARGE PITS TYPES B & C

SURCHARGE PITS SIZES TABLE		
PIT	OPENING SIZE	GRATE TYPE
TYPE A	900 x 900	PC 9090 B*
TYPE B	600 x 900	PC 6090 A
TYPE C	900 x 900	PS 9090 B

\* GRATE FITTED WITH LEGS AS PER DETAIL 'X'

NOTES

1. COMPRESSIVE STRENGTH OF CONCRETE F<sub>c</sub> AT 28 DAYS TO BE 32MPa.
2. TOP OF BENCHING TO BE 1/2 OF OUTLET PIPE DIAMETER.
3. 100 DIA. SUBSOIL DRAINAGE PIPE 3000 LONG WRAPPED IN FABRIC SOCK TO BE PROVIDED IN PIPE TRENCHES ADJACENT TO INLET PIPES.
4. PROVIDE CLIMBING IRONS TO SD 51 WHERE PIT IS DEEPER THAN 1200.



PLAN SURCHARGE PITS TYPES A, B & C

SHEET NO 1B  
NO OF SHEETS 1  
STANDARD DWG. NO SD69

STANDARD DRAWING TITLE  
**Standard Surcharge Pit**  
DWG PRACTICE AS1100  
SHEET SIZE A4  
SCALE/S



ALL DIMENSIONS ARE IN MILLIMETRES. DO NOT SCALE.  
APPROVED: *[Signature]* 1/11/05 DATE  
A/ O. FARUK, C.P. Eng Manager of Investigation & Design

ISSUE	DATE	AMENDMENTS
B	30-8-05	Update for Auspec
A	15-6-05	Redrawn Using CAD
-	2-6-97	ORIGINAL ISSUE