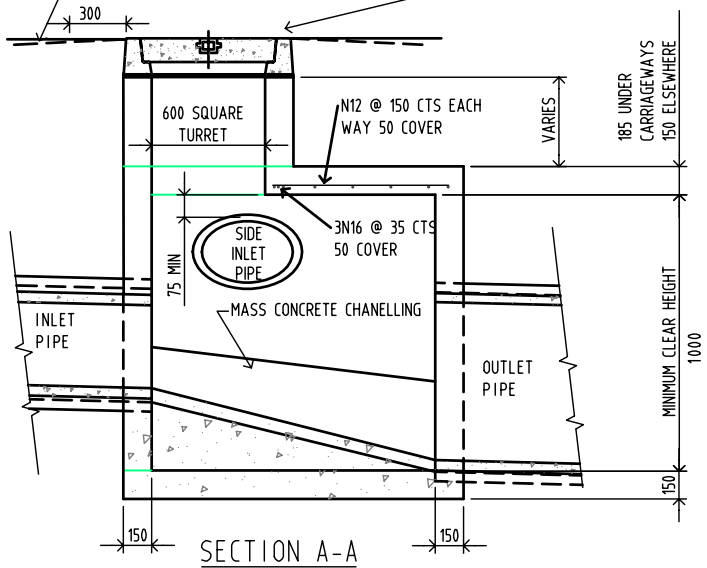


1 2 3

300 WIDE FEATHERING WITH PREMIX ALL AROUND PRIOR TO HOTMIX FOR PITS IN CARRIAGEWAY LOCATIONS. NO FEATHERING REQUIRED WHERE 1. FLUSH SEAL IS THE FINAL SURFACE OF CARRIAGEWAY.
2. CONCRETE PAVEMENT.

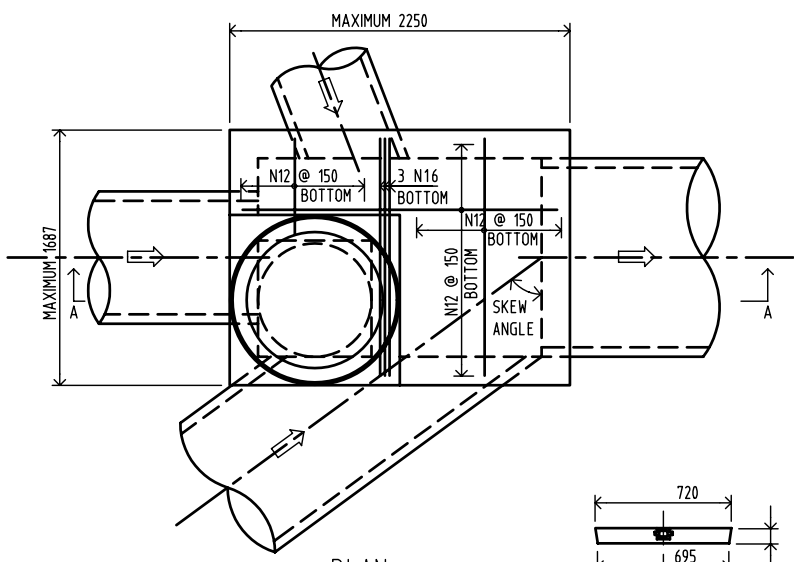
PRECAST MANHOLE COVER AND SURROUND (HEAVY DUTY TYPE - ROADS) (LIGHTWEIGHT TYPE - FOOTPATH) TO MATCH FINISHED SURFACE LEVELS AND SLOPE



SECTION A-A

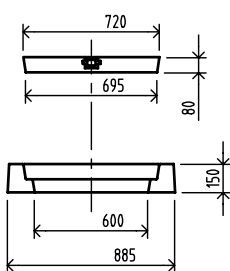
A

B

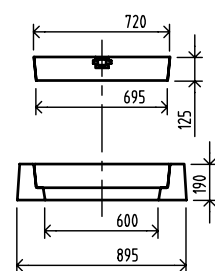


PLAN

C



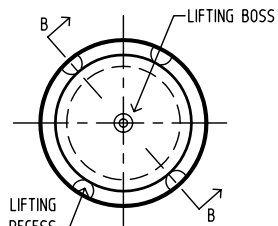
SECTION B-B



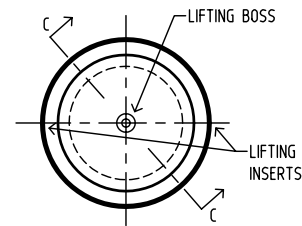
SECTION C-C

NOTES

- 100 DIA SUBSOIL DRAINAGE PIPE 3000 LONG WRAPPED IN FABRIC SOCK TO BE PROVIDED ADJACENT TO INLET PIPES.
- MAXIMUM OUTLET PIPE ON STRAIGHT 900 DIAMETER.
- MAXIMUM OUTLET PIPE ON SKEW 825 DIAMETER.
- MAXIMUM SIDE ENTRY PIPE 825 DIAMETER AT APPROX. 40° SKEW.
- MINIMUM INTERNAL DIMENSIONS - LENGTH 900
- WIDTH 700
- HEIGHT 1000
- COMPRESSIVE STRENGTH F_c FOR CAST IN SITU CONCRETE TO BE MINIMUM 32MPa AT 28 DAYS.
- FOR STEP IRON DETAILS - REFER TO DRAWING SD 51.
- PROVISIONS TO BE MADE FOR 15 DIA. LIFTING HOOKS BY INSERTION OF THREADED SOCKETS INTO LINTEL AND SURROUND AT POINT OF BALANCE.



PLAN LIGHTWEIGHT TYPE



PLAN HEAVY DUTY TYPE

PRECAST MAHOLE COVER AND SURROUND

REINFORCEMENT TO P.W.D. STANDARDS

D

1 2 3

SHEET NO 1B		NO. OF SHEETS 1		STANDARD DWG. NO. SD60	
STANDARD DRAWING TITLE Standard Junction Pit For Pipes Up to 900mm Dia				DWG PRACTICE AS1100	
SCALE/S				SHEET SIZE A4	
ALL DIMENSIONS ARE IN MILLIMETRES. DO NOT SCALE.					
APPROVED: <i>[Signature]</i> 1/11/05 O. FARUQUE, C.P. Eng Manager of Investigation & Design					
DATE					
BBS	P/JW	DBM	BY	AMENDMENTS	
29-8-05	Update for Auspec	7-6-05	Redrawn Using CAD		
-	ORIGINAL ISSUE	14-2-95			
ISSUE	DATE				

A

B

C

D