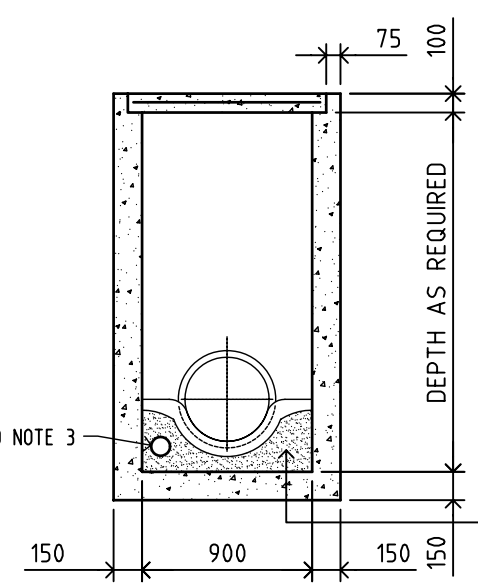


NOTES

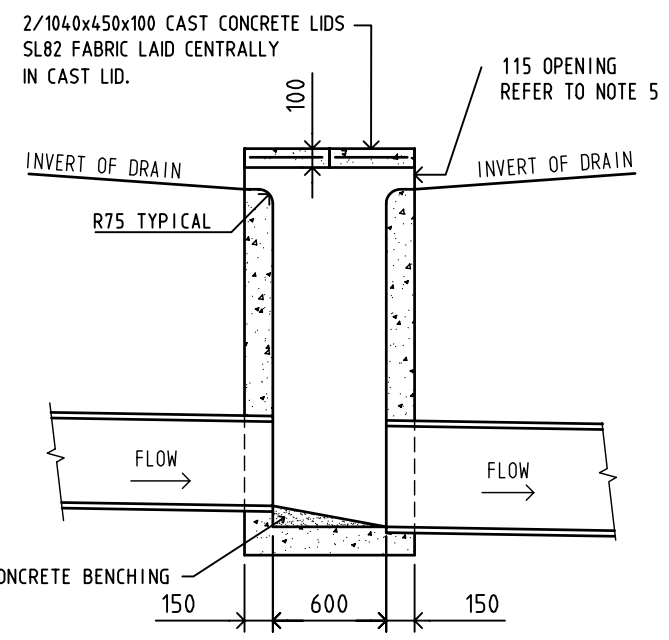
1. COMPRESSIVE STRENGTH (F'c) FOR CAST IN SITU CONCRETE SHALL BE A MINIMUM OF 32MPa AT 28 DAYS.
2. TOP OF BENCHING SHALL BE HALF OF THE OUTLET PIPE DIAMETER.
3. Ø100 SUBSOIL DRAINAGE PIPE 3000 LONG WRAPPED IN FABRIC SOCK TO BE PROVIDED ADJACENT TO INLET PIPES.
4. PROVIDE STEP IRONS TO SD051 WHERE PIT IS DEEPER THAN 1200.
5. WHERE INLET OPENING IN SURFACE INLET PIT GREATER THAN 115mm IS REQUIRED AN R20S6 GALV. BAR SHALL BE PLACED HORIZONTALLY ACROSS THE OPENING AT MID HEIGHT.

MAXIMUM SIZES - TYPE A PIT

INLET/OUTLET PIPE ON STRAIGHT	- Ø825
INLET/OUTLET PIPE AT 45° SKEW	- Ø525
SIDE ENTRY/OUTLET PIPE AT 90°	- Ø600
SIDE ENTRY/OUTLET PIPE AT 45°	- Ø375



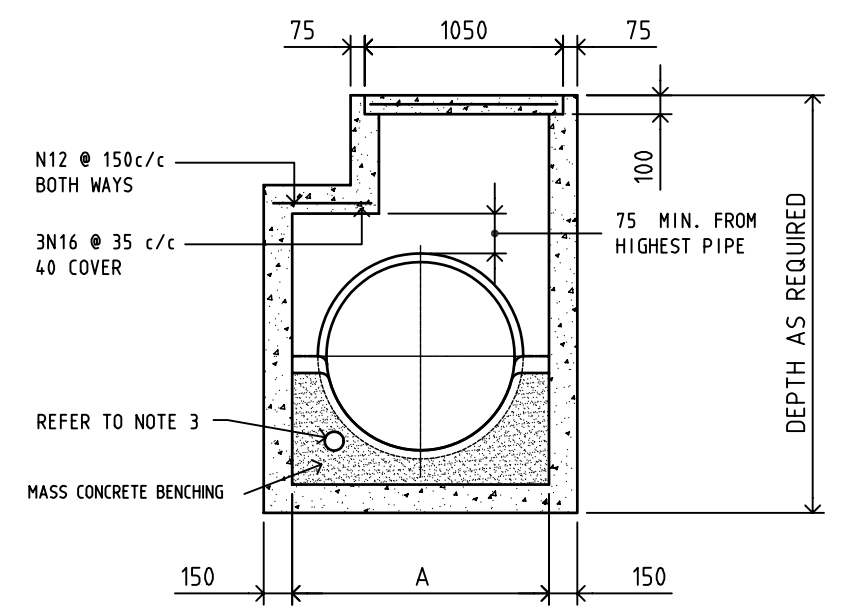
SECTION 1/01



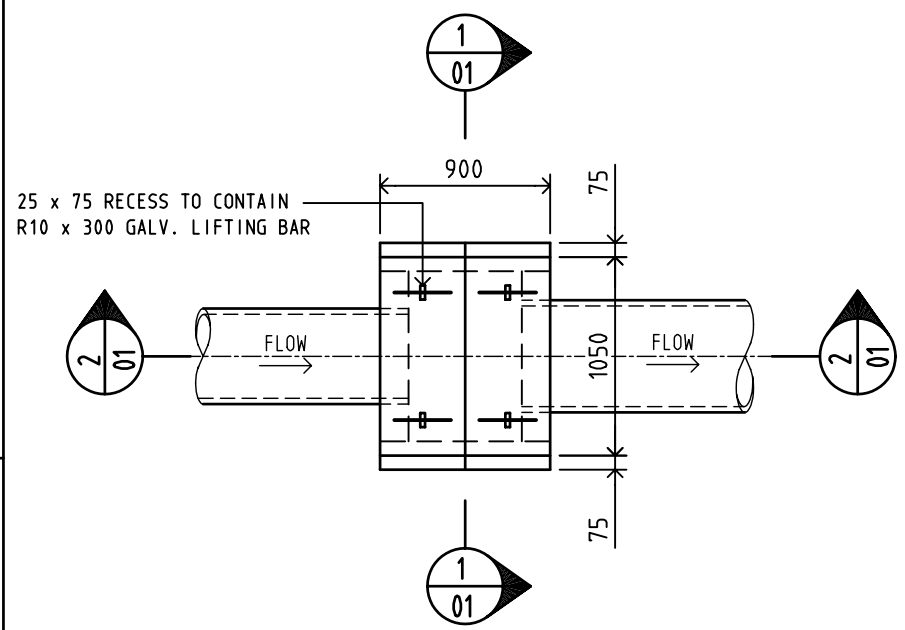
SECTION 2/01

DIAMETER OF OUTLET PIPE ON STRAIGHT	A	B
900	1050	900
1050	1200	900
1200	1350	900
1350	1500	1050
1500	1650	1200
1650	1800	1200
1800	1950	1200

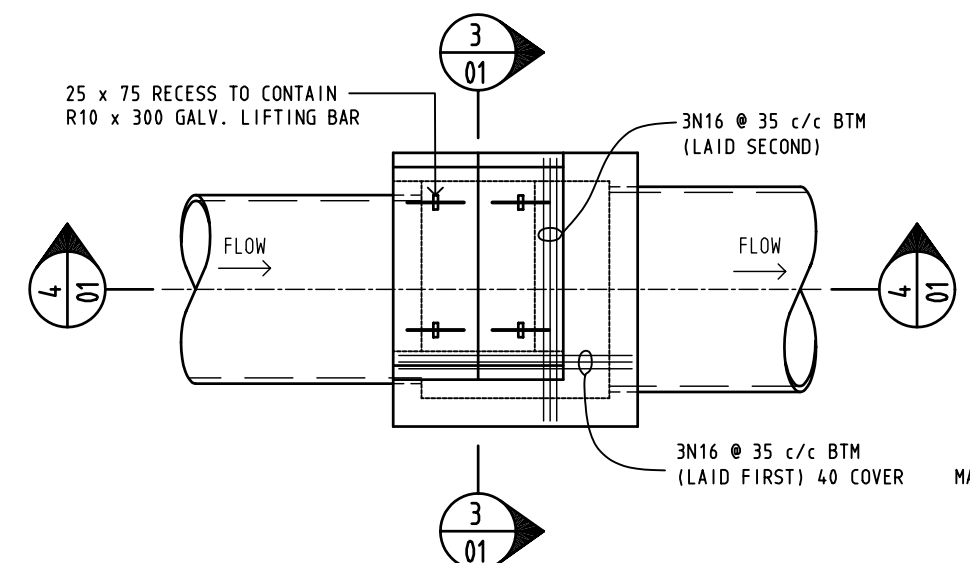
DIMENSIONS A &/OR B MAY NEED TO BE VARIED FOR SKEWED PIPES.



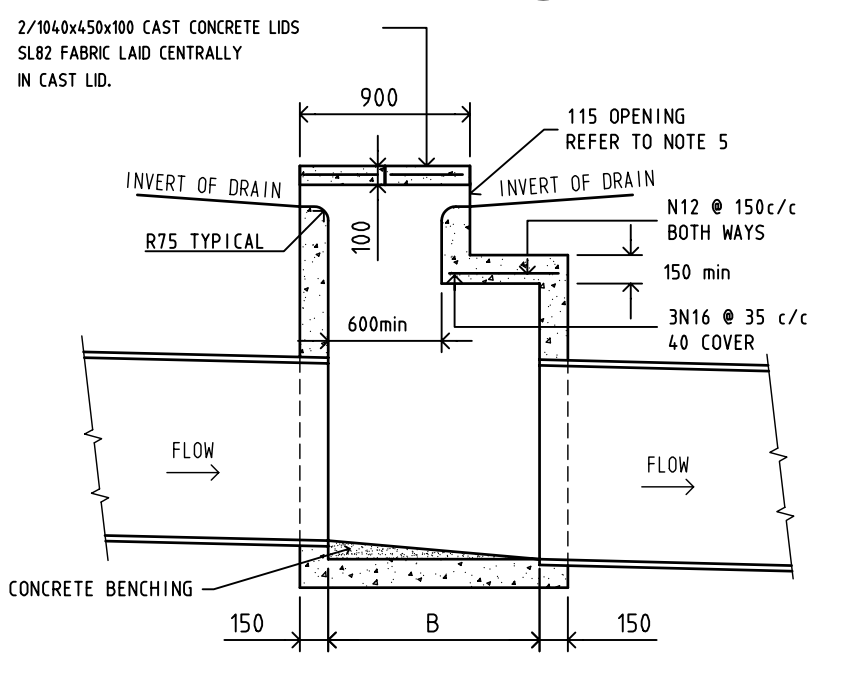
SECTION 3/01



PLAN - SURFACE INLET TYPE A



PLAN - SURFACE INLET TYPE B



SECTION 4/01

DRAWN: DBM DATE: 18-9-03			G.T.C.C.			STANDARD DRAWING TITLE		SHEET NO. 1	
CHECKED: GS DATE: 12-9-05			2 PULTENEY ST.			Standard Details for Surface Inlet Pits -		NO. OF SHEETS 1	
APPROVED: <i>[Signature]</i> 1/11/05			TAREE NSW 2430			Double Entry Letter Box Type		STANDARD DWG. NO.	
O. FARUQI P. Eng			Phone 02 6592 5399			SCALE/S ALL DIMENSIONS ARE IN MILLIMETRES. DO NOT SCALE.		DRAWING PRACTICE AS1100	
A/ Manager of Design & Investigation			Fax. 02 6592 5348			SHEET SIZE A3		SD58	
DATE			D.X. 7020			CITY COUNCIL			