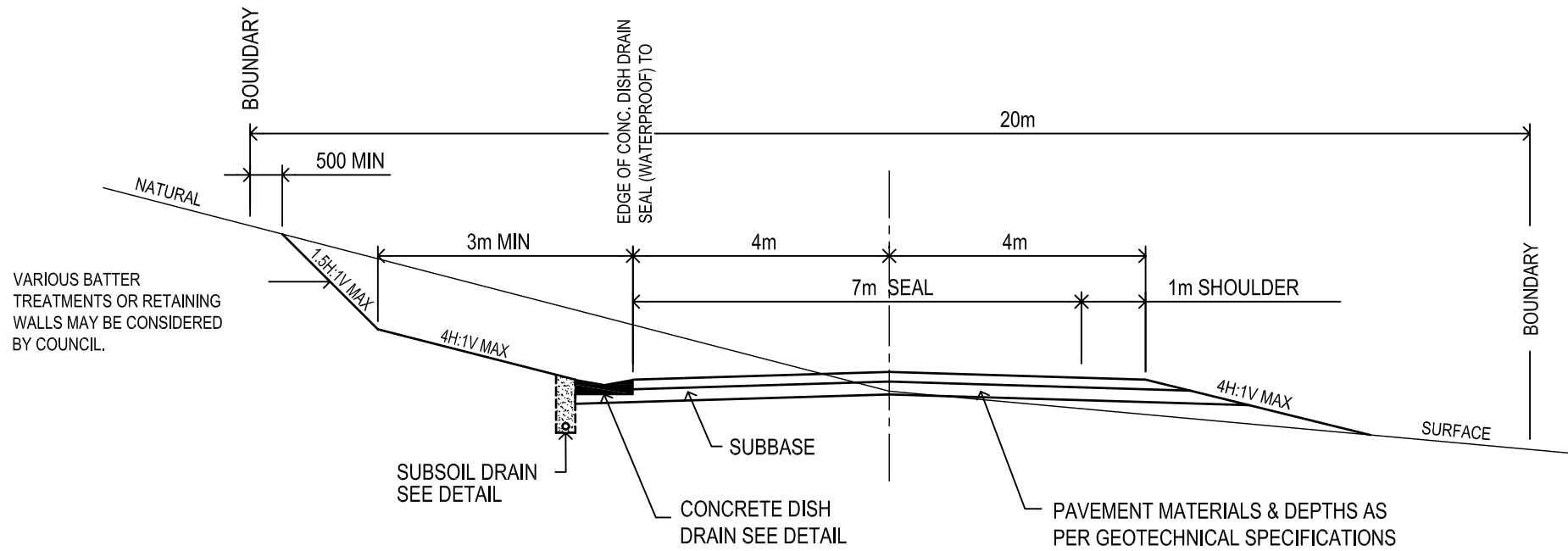
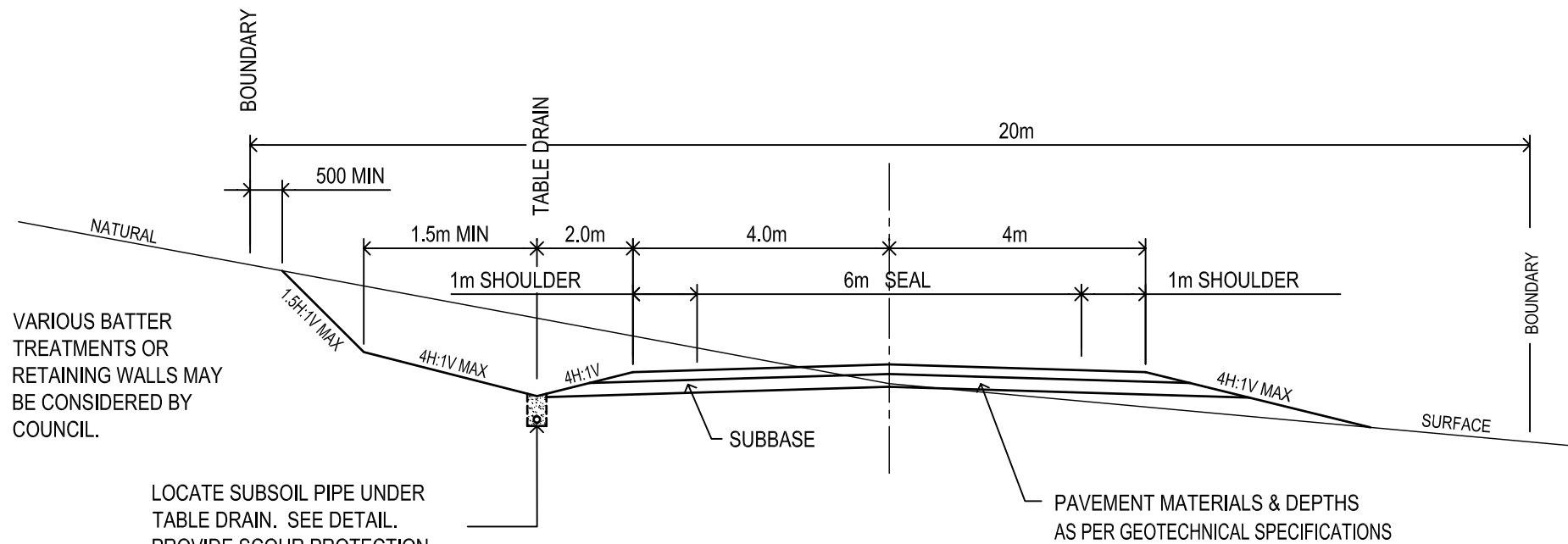


NOTES

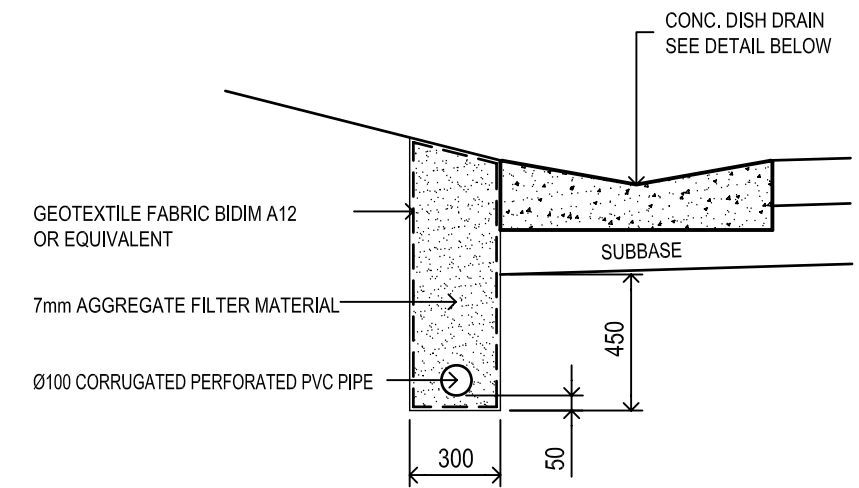
1. THIS STANDARD DRAWING IS TO BE INTERPRETED IN CONJUNCTION WITH THE AUSPEC No. 1 DEVELOPMENT SPECIFICATION DESIGN MANUAL.
2. ALL DISTURBED AREAS ARE TO BE TOPSOILED AND SEEDED. REFER TO AUSPEC No.1 FOR DETAILS ON SCOUR PROTECTION OF TABLE DRAINS IN SECTION D1.29 OF THE DESIGN MANUAL.
3. TO ENSURE A SOUND FOUNDATION UNDER CONCRETE DISH DRAINS, THE COMPACTED SUBBASE COURSE IS TO EXTEND 300 OUTSIDE THE CONCRETE DISH DRAIN. SUBSEQUENT EXCAVATION FOR THE SUBSOIL DRAINAGE WILL AFFECT THE REMOVAL OF THIS (ADDITIONAL) SUBBASE MATERIAL.
4. COMPRESSIVE STRENGTH OF CONCRETE IS TO BE 25MPa AT 28 DAYS FOR FLEXIBLE PAVEMENT AND 32MPa AT 28 DAYS FOR RIGID PAVEMENT.



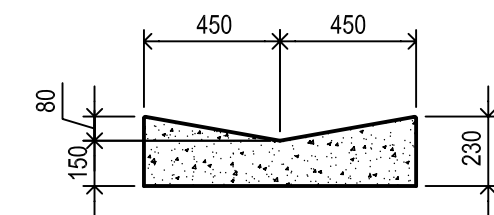
TYPICAL SECTION (GRADES \geq 2%)
SCALE 1:100



TYPICAL SECTION (GRADES < 2%)
SCALE 1:100



SUBSOIL DRAIN DETAIL
SCALE 1:25



CONCRETE DISH DRAIN DETAIL (TYPE SC KERB)
SCALE 1:25

			DRAWN: DBM DATE: 26-8-03	G.T.C.C.		STANDARD DRAWING TITLE		SHEET NO. 1A	
			CHECKED: GS DATE: 12-9-05	2 PULTENEY ST. TAREE NSW 2430		Rural Residential Subdivisions		NO. OF SHEETS 1	
A	26-9-08		DVS	Phone 02 6592 5399		Typical Cross Sections & Details		STANDARD DWG. NO.	
-	12-9-05		DBM	Fax. 02 6592 5348		ALL DIMENSIONS ARE IN MILLIMETRES. DO NOT SCALE.		AS1100	
ISSUE	DATE	ZONE	AMENDMENTS	BY	DATE	D.X. 7020	AS1100	A3	SD48
			APPROVED: <i>[Signature]</i> 1/11/05		O. FARUQI C. Eng		SHEET SIZE		
			A/ Manager of Design & Investigation		G.T.C.C. CITY COUNCIL		SHEET SIZE		