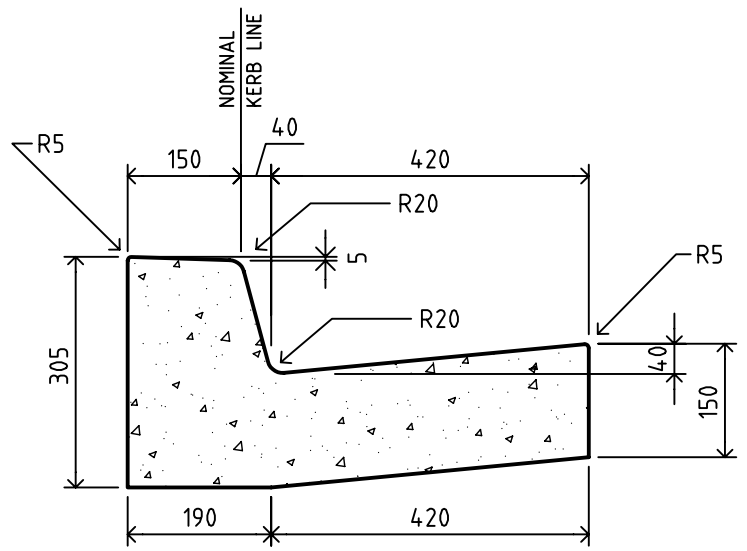
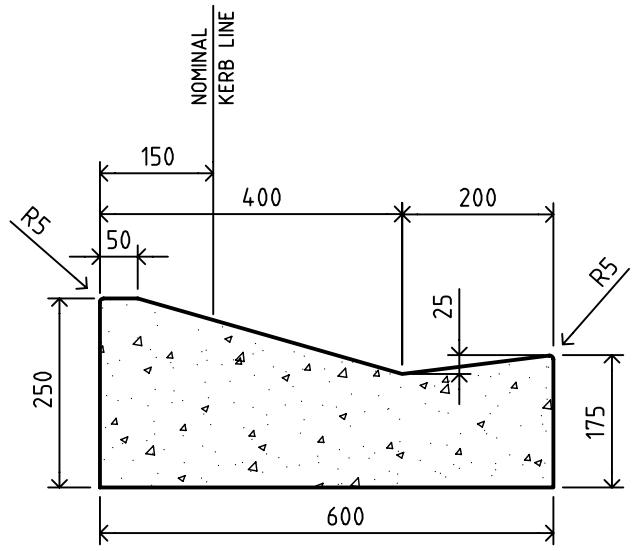


NOTES

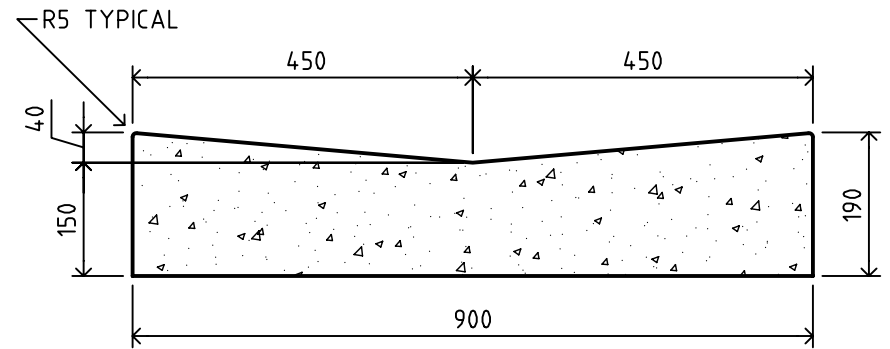
- 28 DAY COMPRESSIVE STRENGTH OF CONCRETE IS TO BE:
25MPa FOR FLEXIBLE PAVEMENT
32MPa FOR RIGID PAVEMENT
- ALL EXPOSED EDGES ARE TO BE ROUNDED WITH A 20mm BULLNOSE EDGER, UNLESS NOTED OTHERWISE.
- KERB AND GUTTER AND DISH DRAIN KERB SHALL BE CONSTRUCTED IN ACCORDANCE WITH AUSPEC #1 C224 - OPEN DRAINS INCLUDING KERB AND GUTTER.
- GRAVEL THICKNESS BELOW KERB.
NEW ROAD WORKS: ROAD SUBBASE TO BE EXTENDED UNDER KERBS, GUTTERS, APRONS & DISH DRAINS.
KERB & GUTTER RETROFIT TO EXISTING ROADS: PROVIDE SUBBASE EQUIVALENT TO EXISTING SUBBASE UNDER PAVEMENT. WHERE EXISTING SUBBASE DEPTH CANNOT BE DETERMINED PROVIDE MIN. 200mm ROADBASE COMPACTED TO 98% STANDARD DRY DENSITY.
- BACKFILL BEHIND KERB TO FULL HEIGHT OF KERB.



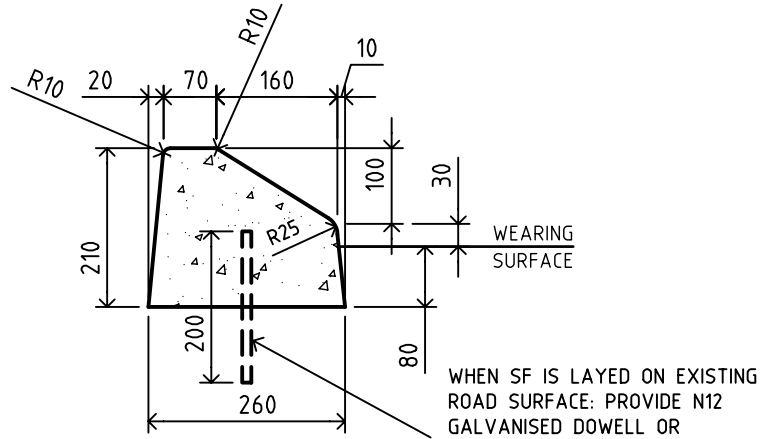
SA - KERB & GUTTER
CONCRETE = 0.117 m³/m



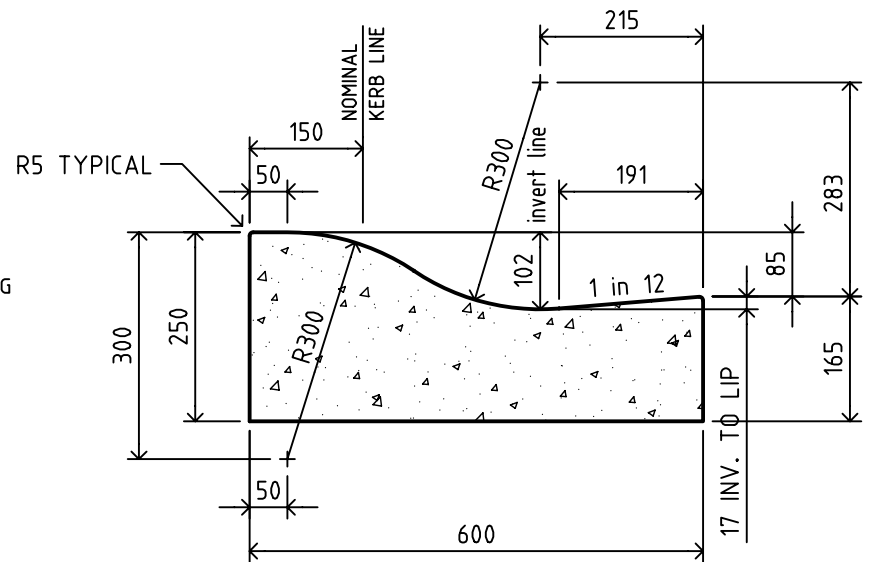
SE - MODIFIED NEWTON PROFILE
CONCRETE = 0.115 m³/m



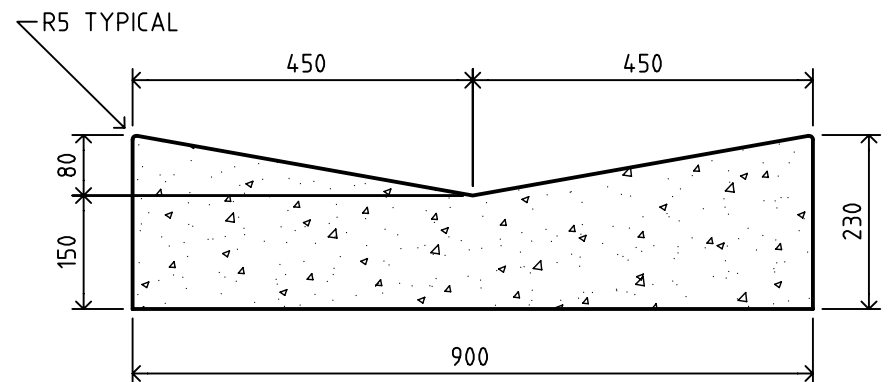
TYPE SB DISH DRAIN
CONCRETE = 0.153 m³/m



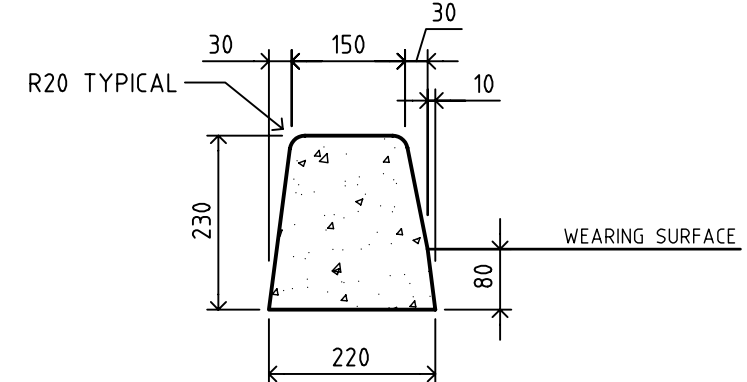
SF - MEDIAN KERB
CONCRETE = 0.043 m³/m



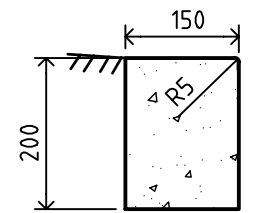
SR - MODIFIED ROLL K & G
CONCRETE = 0.113 m³/m



TYPE SC DISH DRAIN
CONCRETE = 0.171 m³/m



SM - KERB
CONCRETE = 0.043 m³/m



STANDARD EDGE STRIP
CONCRETE = 0.030 m³/m

C 2-9-05 Update for Auspec BBS			DRAWN: DBM DATE: 25-7-03		G.T.C.C.		STANDARD DRAWING TITLE		SHEET NO. 1C	
B 19-7-04 A3-A4 SE Kerb Profile Amended DBM			CHECKED: GS DATE: 12-9-05		2 PULTENEY ST.		Standard Kerb & Gutter Details.		NO. OF SHEETS 1	
A 7-6-04 A,B1-4 SR, SE Amended, SB, SC Added, Residential Layback to SD076 DBM			APPROVED: <i>[Signature]</i> 1/11/05		TAREE NSW 2430		Typical Cross Sections.		STANDARD DWG. NO. SD05	
- 6-2-04 - ORIGINAL ISSUE DBM			O.FARUQI C.P. Eng DATE		Phone 02 6592 5399		SCALE/S ALL DIMENSIONS ARE IN MILLIMETRES. DO NOT SCALE.		DRAWING PRACTICE AS1100	
ISSUE DATE ZONE AMENDMENTS BY			A/ Manager of Design & Investigation		Fax. 02 6592 5348		SHEET SIZE A3		D.X. 7020	
2ND FOLDLINE TO HERE 1 2 FIRST FOLDLINE (IN) 3 SECOND FOLDLINE (OUT) 4 LHS TO HERE 5 6					Greater Taree CITY COUNCIL					